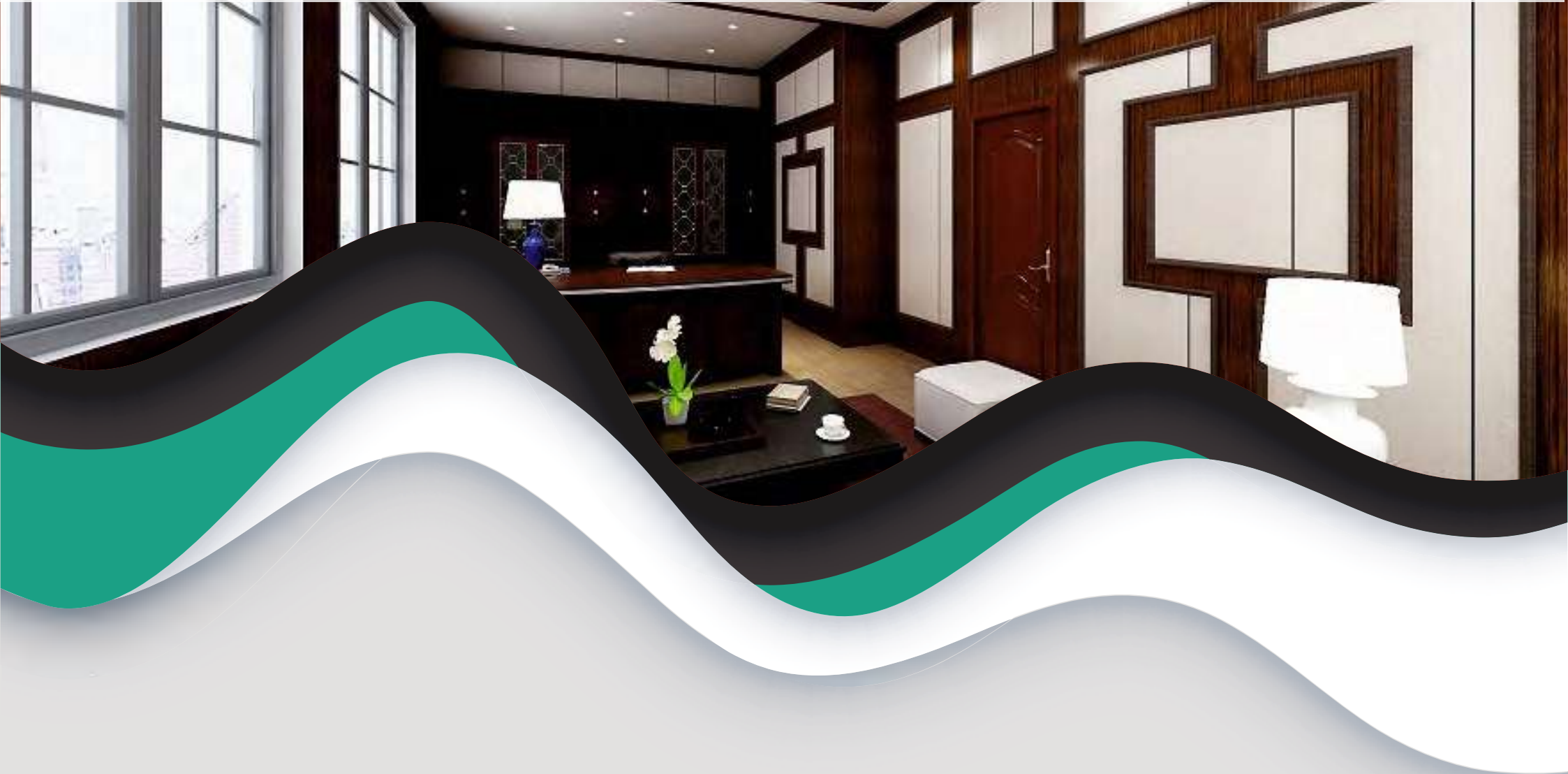


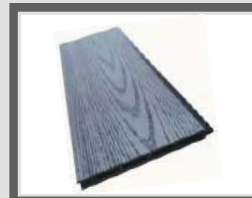


Dalian Sunyoung Trading Co., Ltd.

THE GREEN SYSTEM TECHNOLOGY



# WPC



# HEALTHY

## HEALTH & ENVIRONMENTAL PROTECTION NEW LIFE

Environmental, atmosphere, burning, industrial emissions, car exhaust, water pollution woven into an invisible net hun-gover the head of each person. we will choose helpless to escape, but to stay at home all right?

We have to avoid long, for the families, for children, it is time to use Sunyoung's wood plastic composites(WPC), not just a new type of wall materials, is a symbol of a new healthy lifestyle.



*WPC Boards Are  
100% Water Proof*



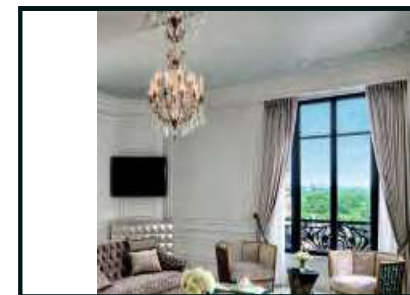
## SCIENCE

### ENVIRONMENTAL PROTECTION AND NEW WALL

WPC is a new type of Eco – friendly material; it is outstanding for its natural wood effect and non-fading quality. A mix of wood flour and thermoplast, this means the warmth and look of solid wood combined with the properties of thermoplast and its durability is better than ordinary wood. high surface hardness, typically 2-5 times wood

## ADVANTGAGE

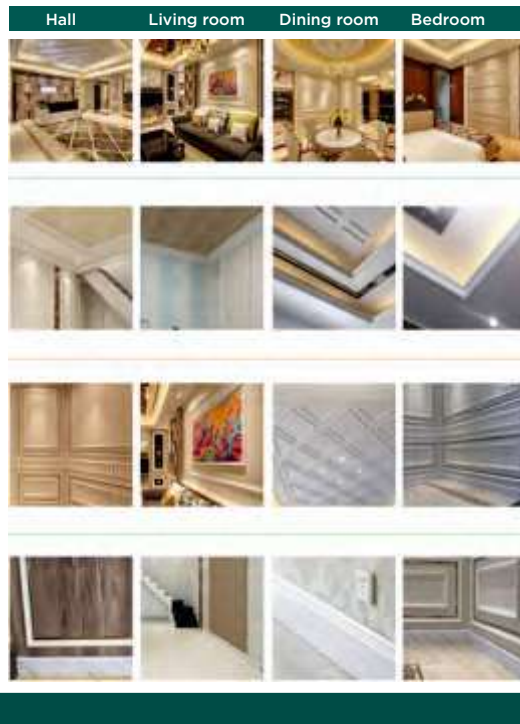
Advantages of WPC boards vs. traditional - wooden more durable than wood, does not require any preparation or grinding, non-slip in both dry and wet environments, resistant to damage, easy to care for - washing with water under pressure is enough, maintenance-free (painting, oiling, etc.), with similar processing properties as wood, environmentally friendly.





## APPLICATION

The products are mainly used as high-quality fireproof materials for light-weight barriers of various buildings. Such as: writing buildings, commercial buildings, passenger stations, train stations, airports, guest houses, restaurants, science and research institutes, schools, hospitals, movie theaters, sports halls, etc. The internal partitions and ceiling panels can also be used for decoration.

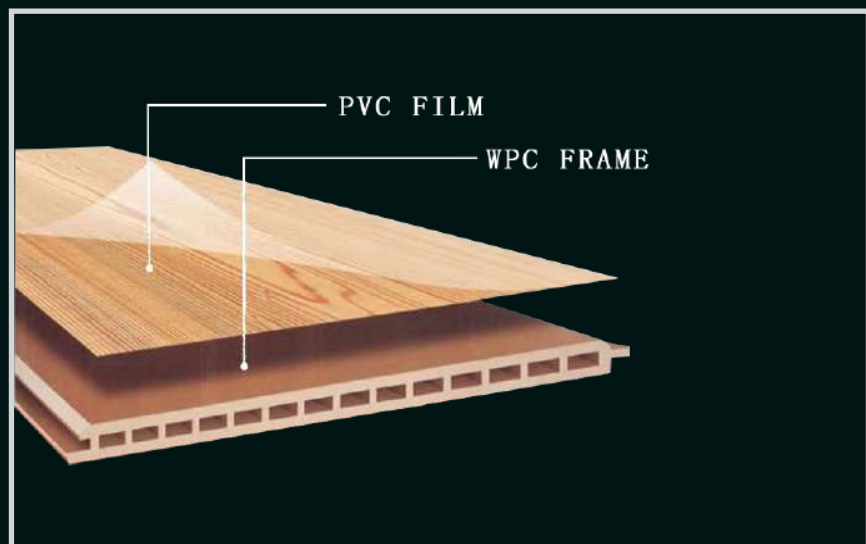


**Dalian Sunyoung is a leading provider of smart home solutions committed to creating healthy and happy households in China.**

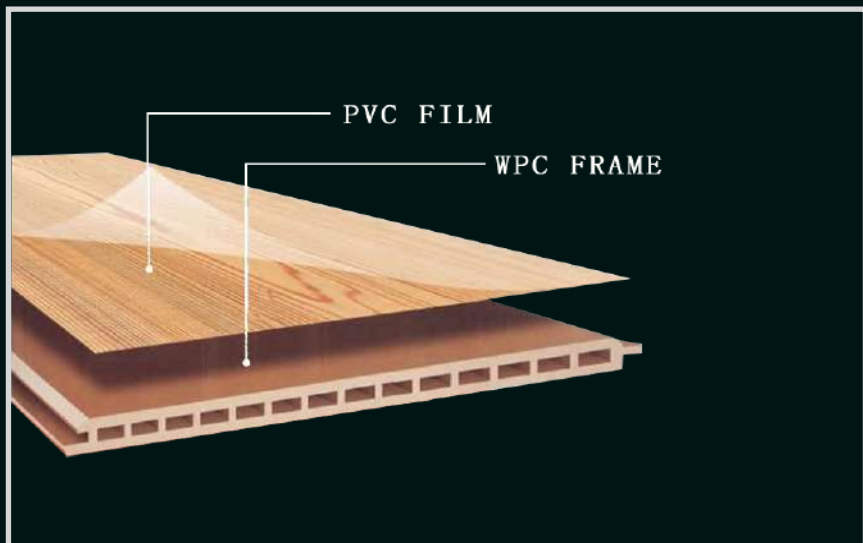
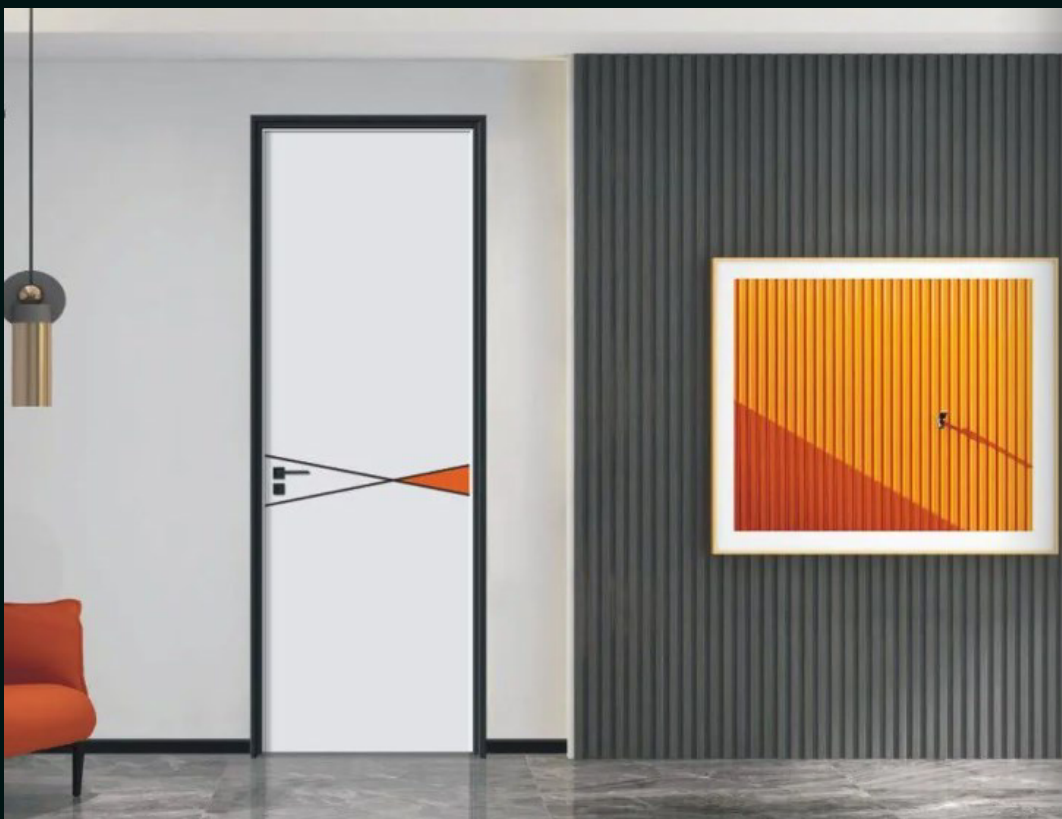
*Sunyoung WPC is a highly durable and secure material. It is a blend of wood fiber/wood flour and thermoplastics. WPC boards are also prepared from inorganic fillers and plastic composites. It is used as a strong and high end building decoration. It is also used for indoor cieling/paneling.*

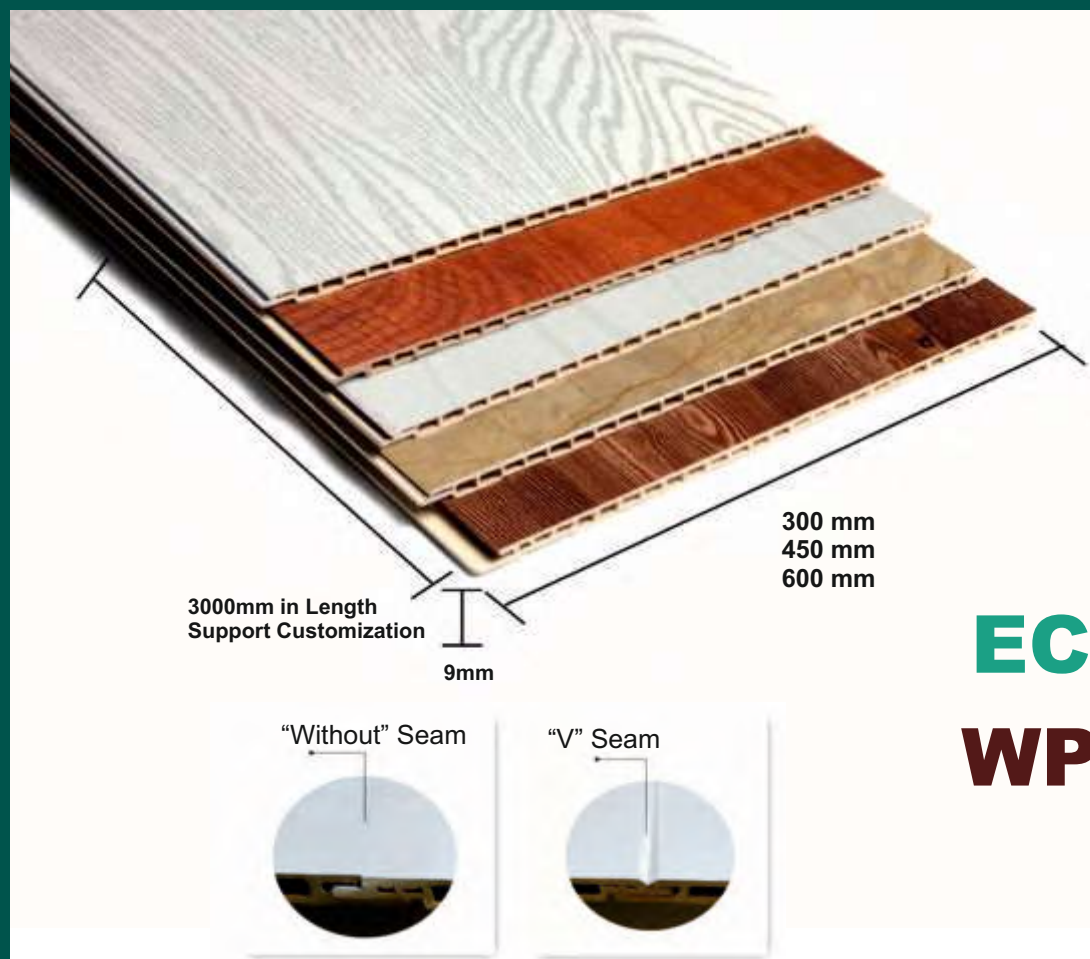
## KEY BENEFITS





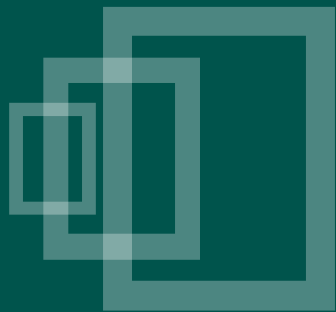






100% RECYCLABLE

# AN ECO-FRIENDLY WPC PRODUCT.



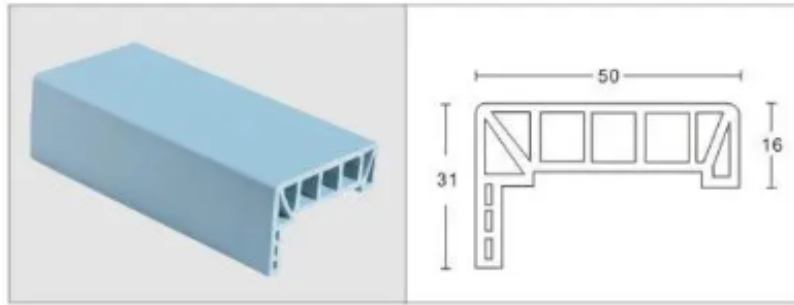
[www.wadaplywood.com](http://www.wadaplywood.com)

## TOOLS TO BE USED

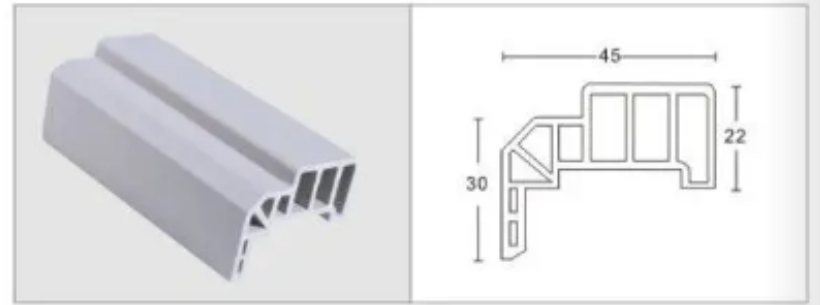


# Products List

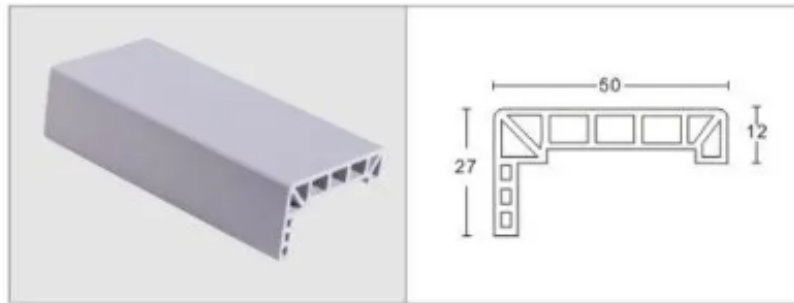
## Door Frame



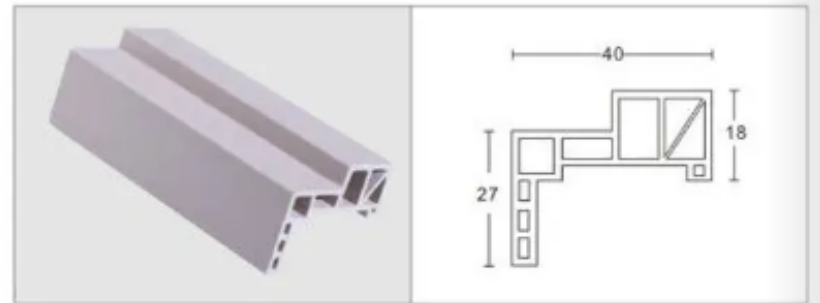
50#16



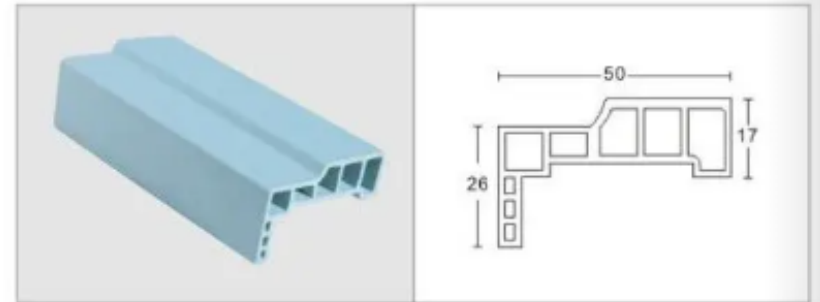
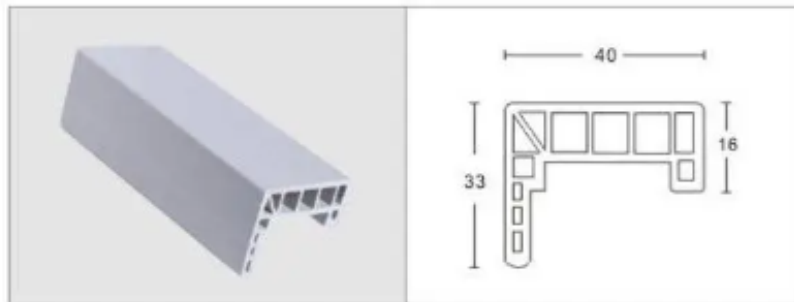
45#异形线



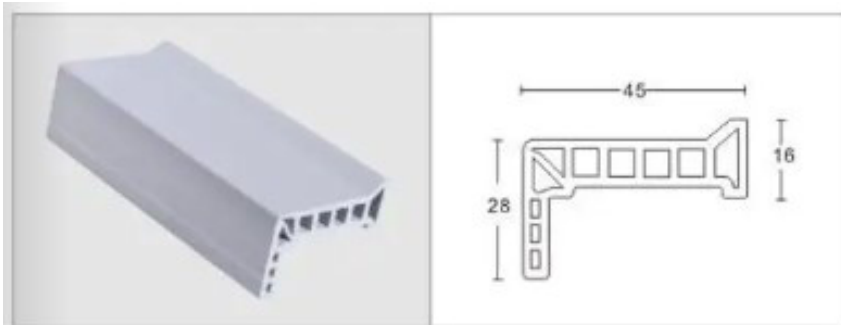
50#12



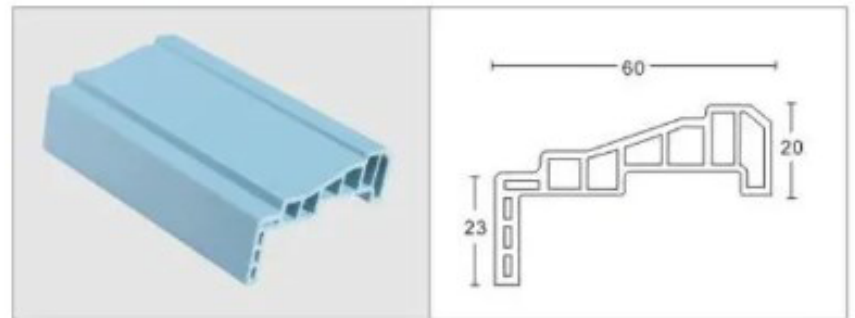
40#高低台



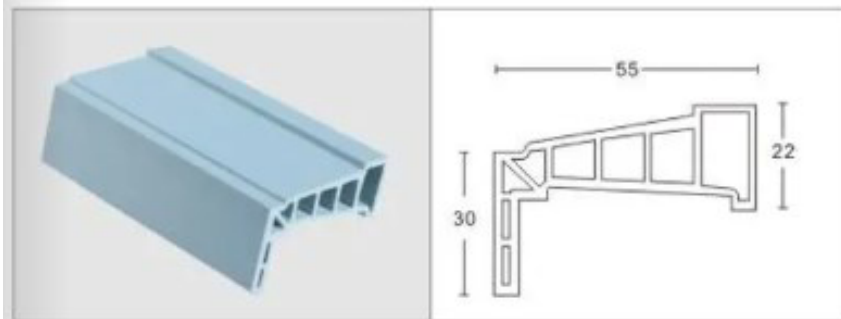




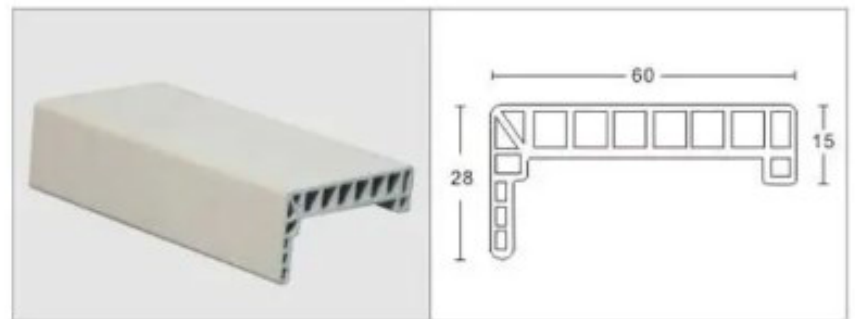
45#翅边线



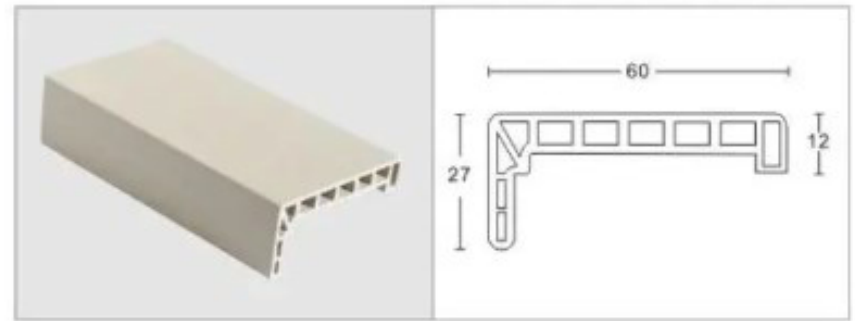
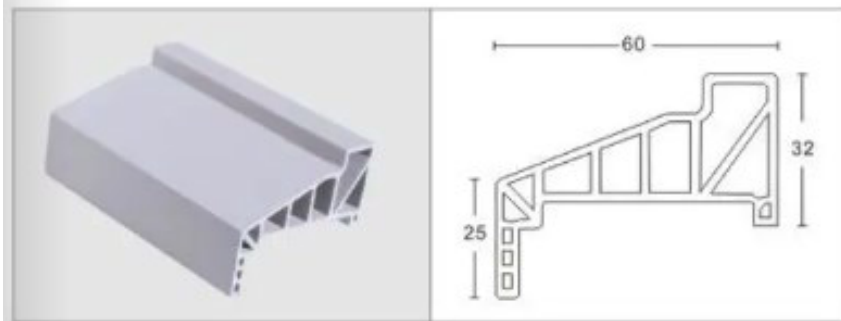
60#花线

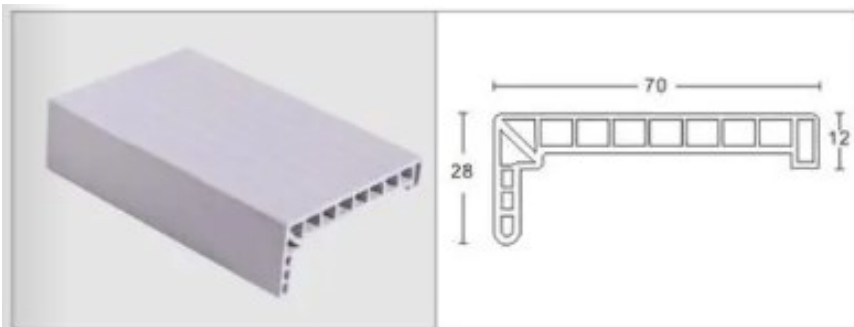


55#异形线

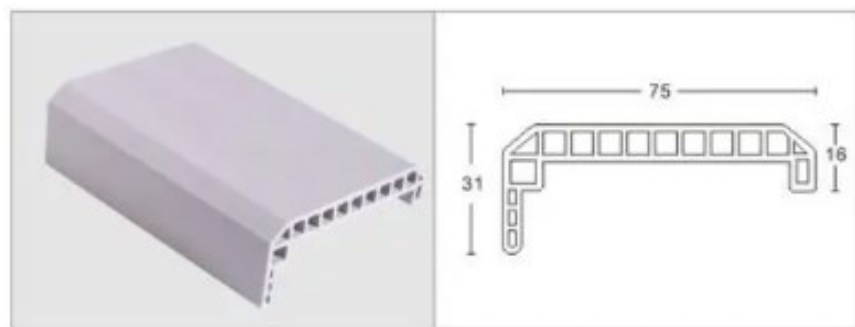


极简加厚高腔60#15

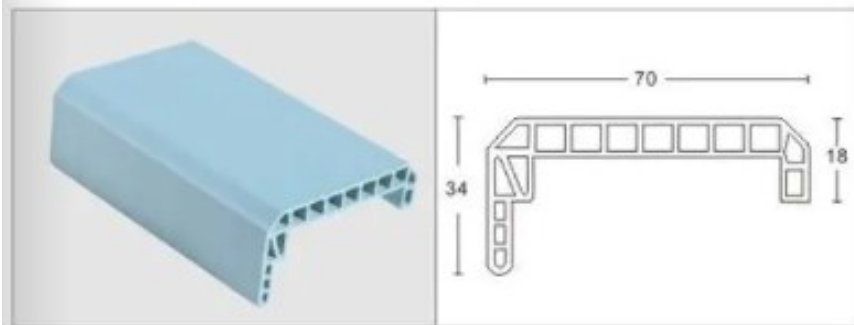




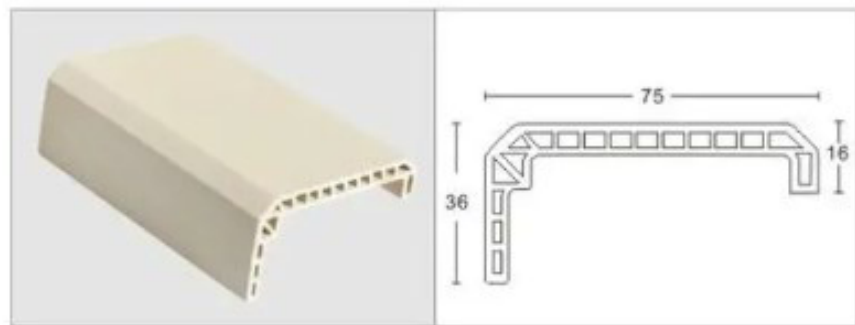
70#12



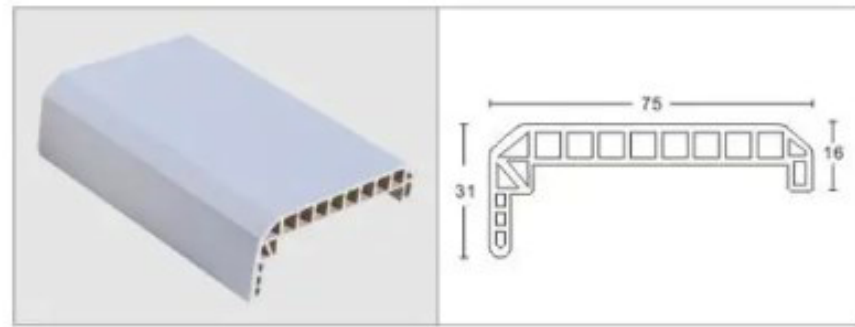
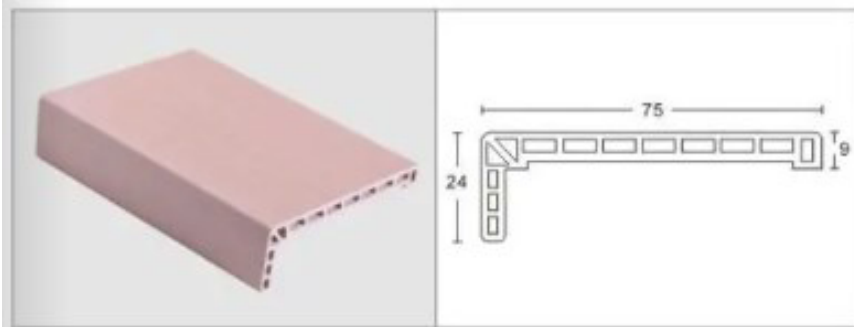
75#立线加厚

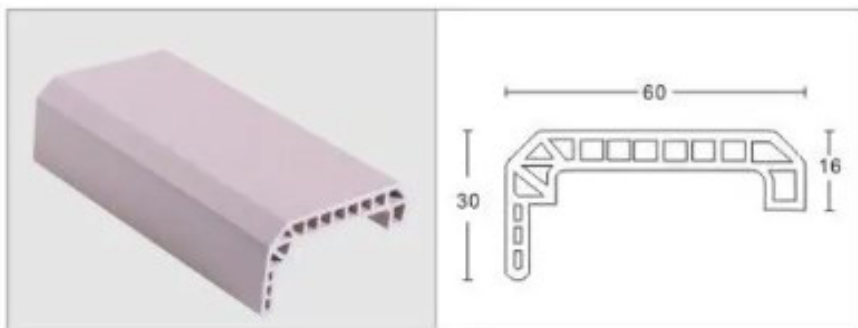


70#立线

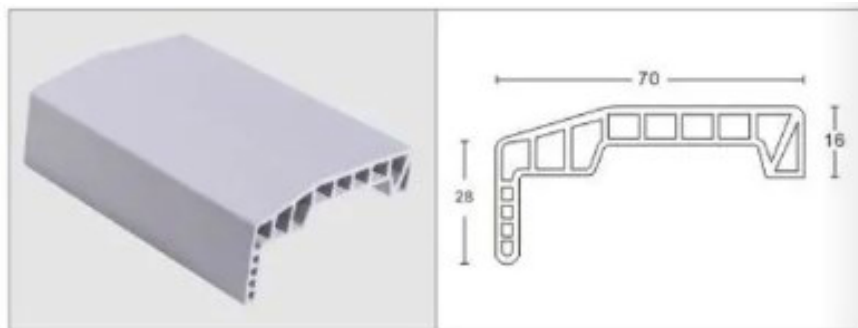


75#立线-01

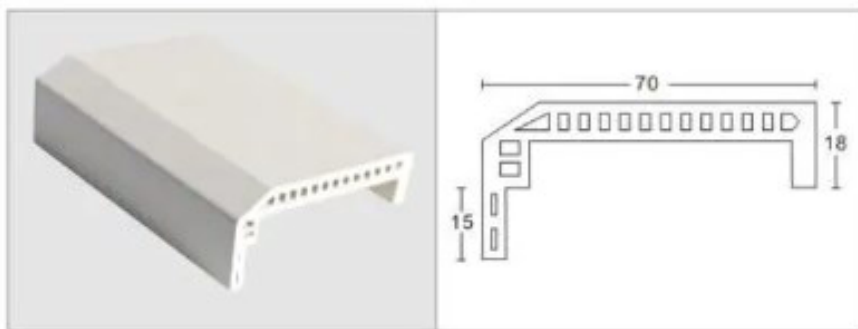




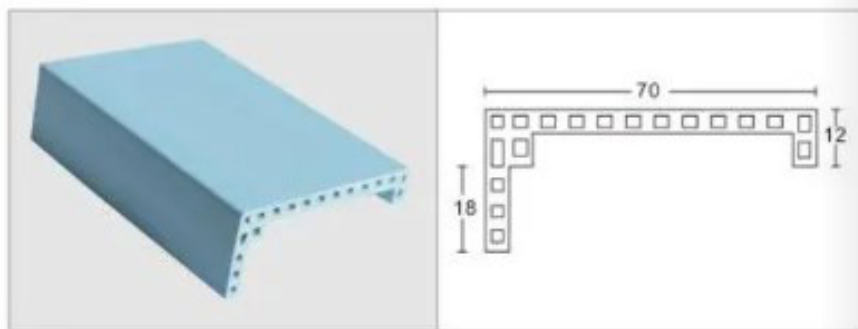
60#双斜立线



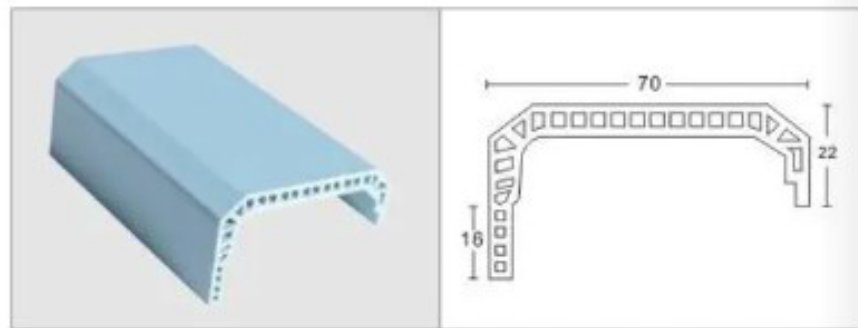
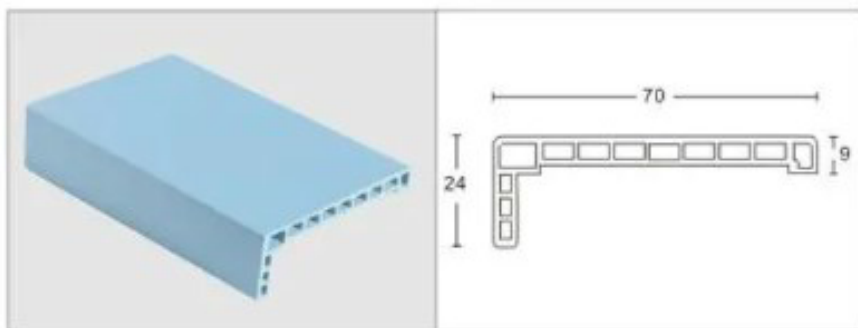
70#单斜立线



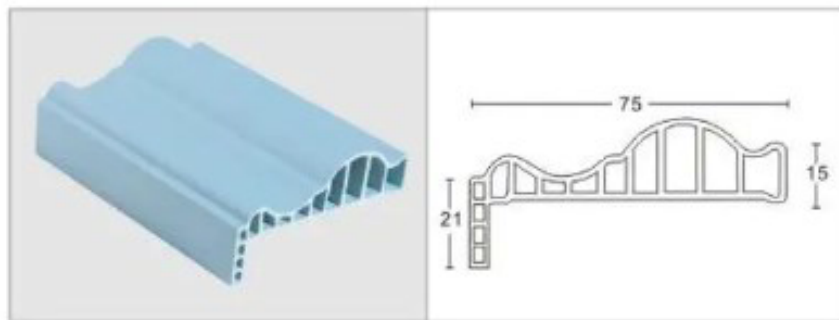
70#单斜立线(竹木)



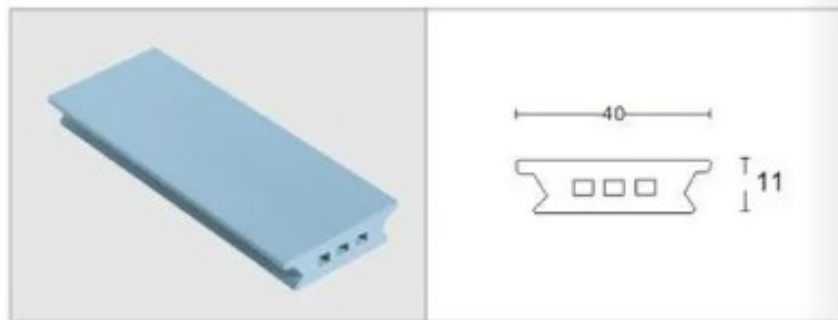
70#平线(竹木)(70#12/70#15/70#18)



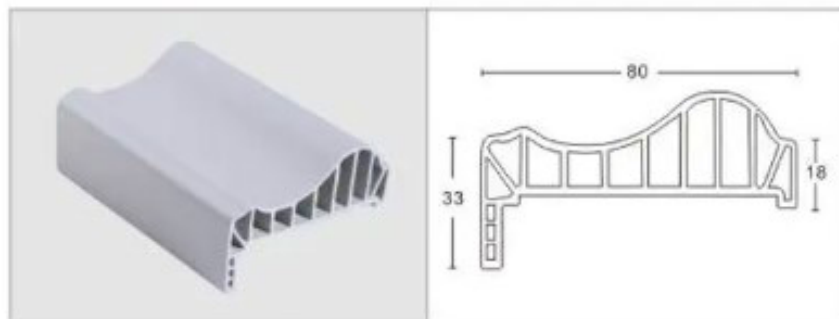




75#花线



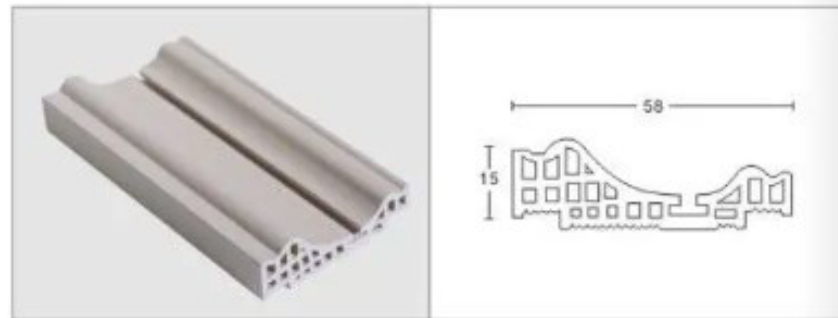
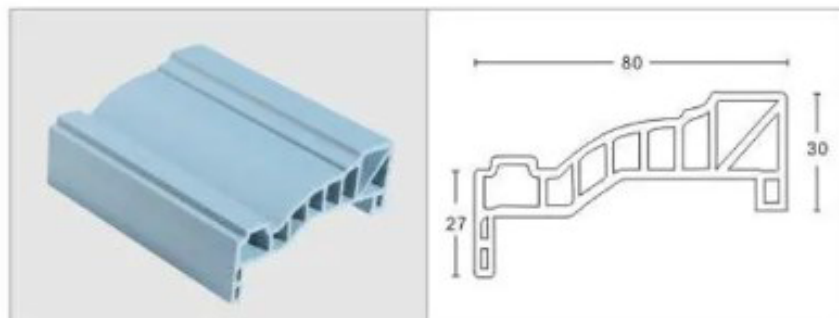
内燕尾(木方28.30)



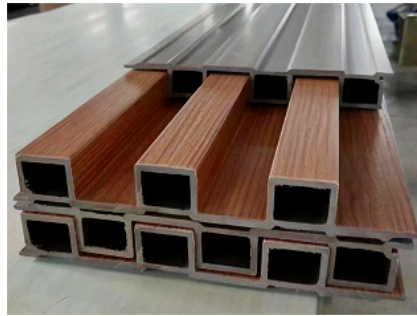
80#花线



外燕尾(木方27.28)



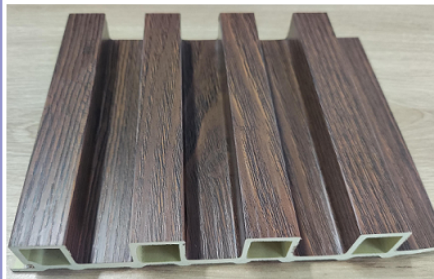
## WPC Wall Cladding



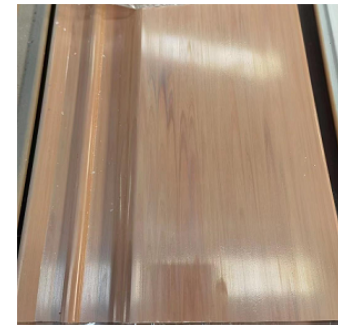
GRILLE BOARD-01  
Size: 28mm(H) x 195mm(W) x Customized Length  
Color: Customization



FENCE BOARD-OUTDOOR-08  
Size: 16mm(H) x 150mm(W) x Customized Length  
Color: Customization



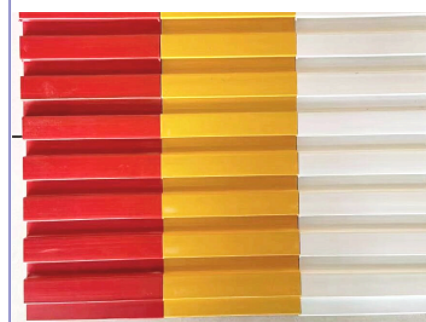
GRILLE BOARD-02  
Size: 25mm(H) x 155mm(W) x Customized Length  
Color: Customization



WALL PANEL-OUTDOOR-06  
Size: 15mm(H) x 150mm(W) x Customized Length  
Color: Customization



GRILLE BOARD-03  
Size: 12mm(H) x 195mm(W) x Customized Length  
Color: Customization



WALL PANEL-OUTDOOR-07  
Size: 9mm(H) x 150mm(W) x Customized Length  
Color: Customization



WALL PANEL-OUTDOOR-08

Size: 17mm(H) x 100mm(W) x Customized

Length Color: Customization



CLOSED EDGES LINE SLATS

Size: 50mm(H) x 68mm(W) x Customized Length

Color: Customization



SQUARE UNIVERSAL

Size: 50mm(H) x 100mm(W) x Customized

Length Color: Customization



FLOORING-OUTDOOR-08

Size: 22mm(H) x 140mm(W) x

Customized Length Color: Customization